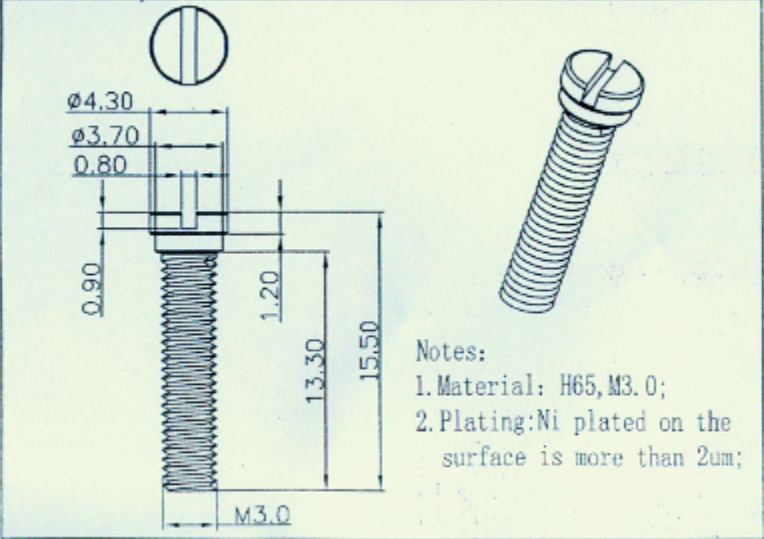
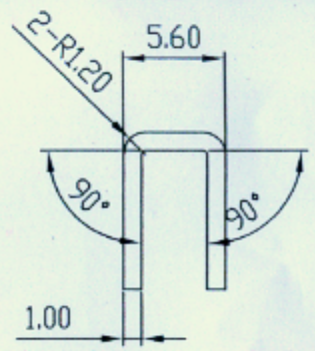
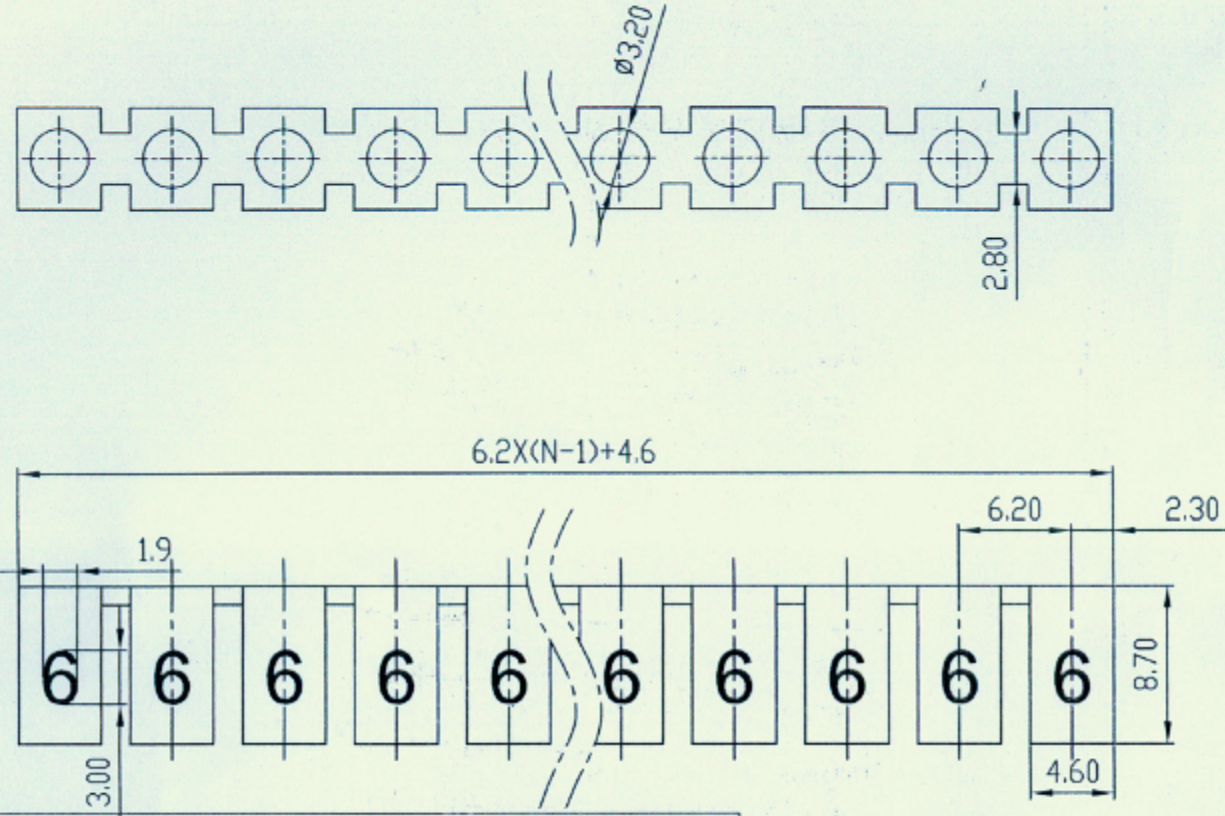


REVISION RECORD				
REV	ECN	DESCRIPTION	DRFT	DATE

Notes:

1. Pitch: 6.2mm, Poles: 2-10P;
2. Material: T2Y2;
3. Plating: Cu plated at the bottom is more than 2um; Sn plated at the bottom is more than 4um;
4. Undimensioned Tolerances:

Pitch range in mm		Nominal dimension range in mm						
to	over	to	over	to	over	to	over	
6	8 to 10	10	10 to 24	30	30 to 60	60 to 100	100 to 150	150 to 200
±0.10	±0.15	±0.25	±0.2	±0.3	±0.5	±0.7	±1.0	±1.0



Current carrier and screws should be packed individually, which must be put in the same box

载流体和螺丝分开包装, 必须放于同一内盒



1

2	FBI10-6 M3 Screws	S000004610 (H)	H65	Ni									
1	FBIXX-6 Current carrier	6003BXX060 (H)	T2Y2	SnCe									
ITEM	NAME OF PART	NO. OF PART	Q'TY	MATERIAL	NOTES								
<table border="1"> <tr> <td>MM (INCH)</td> <td>DATE 06/14/11</td> </tr> <tr> <td>DATE 06/15/11</td> <td>DATE 06/15/11</td> </tr> <tr> <td>DATE 06/15/11</td> <td>DATE 06/15/11</td> </tr> <tr> <td>DATE 06/15/11</td> <td>DATE 06/15/11</td> </tr> </table>		MM (INCH)	DATE 06/14/11	DATE 06/15/11	DATE 06/15/11	DATE 06/15/11	DATE 06/15/11	DATE 06/15/11	DATE 06/15/11	DEGSON 宁波高正电子有限公司 DEGSON ELECTRONICS CO., LTD. NAME: FBIXX-6 DRAWING NO. FBIXX-6-E01 /PART NO. DO NOT SCALE DRAWING SHEET 1 OF 1			
MM (INCH)	DATE 06/14/11												
DATE 06/15/11	DATE 06/15/11												
DATE 06/15/11	DATE 06/15/11												
DATE 06/15/11	DATE 06/15/11												
TOLERANCES EXCEPT AS NOTED ANGLES = 1° THIRD ANGLE PROJECTION SCALE: 1:1		SIZE A3 REV TO 06/15/11											