
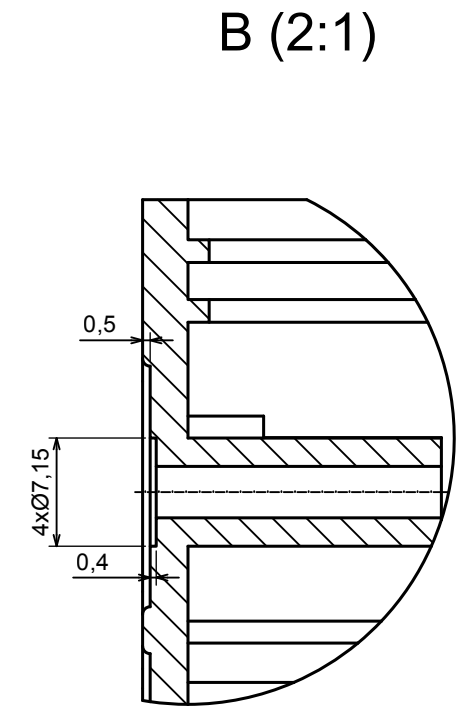
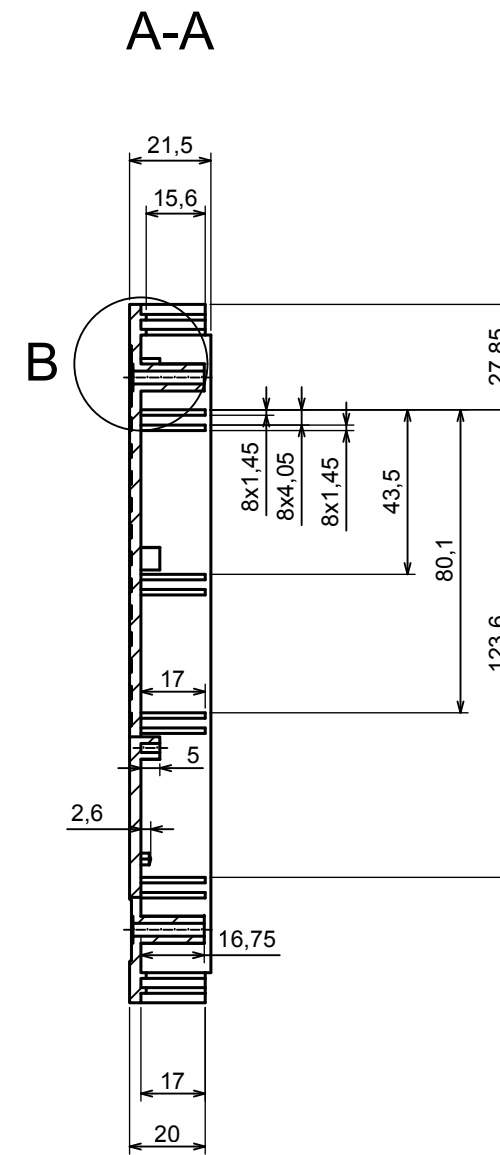
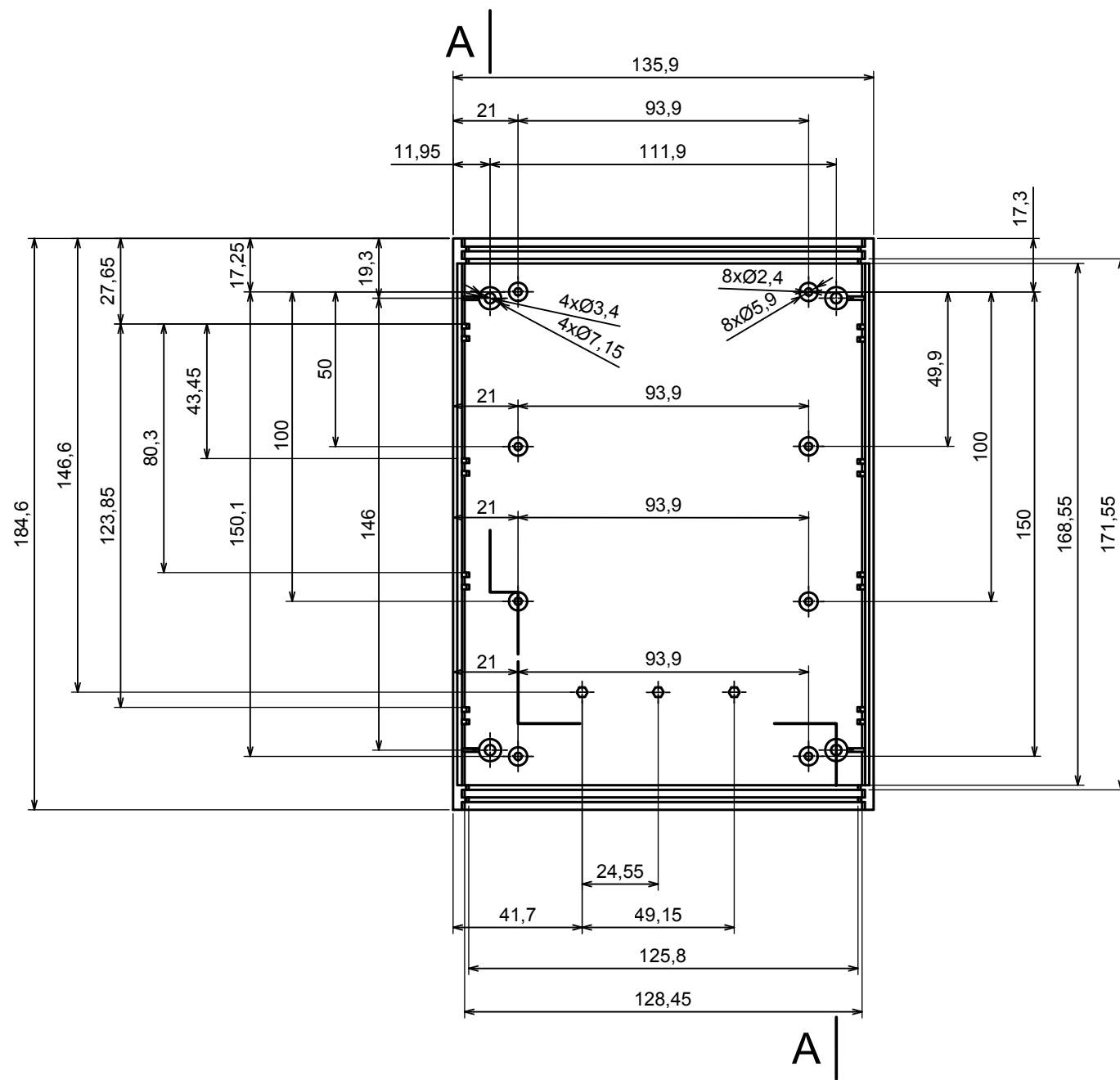


All rights reserved, Copyright Kradox 2016		
Product model	Enclosure Z112 - assembly	
Format: A3	Material: PS, ABS	
Scale 1:2	Tolerance: +/- 0.8	



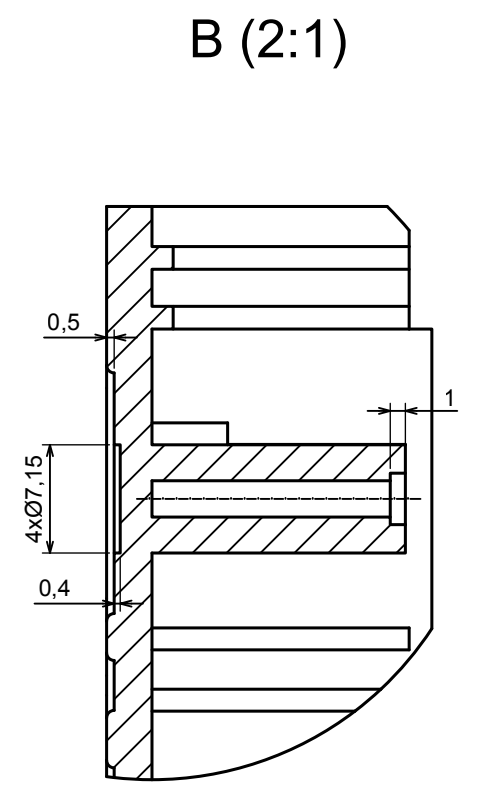
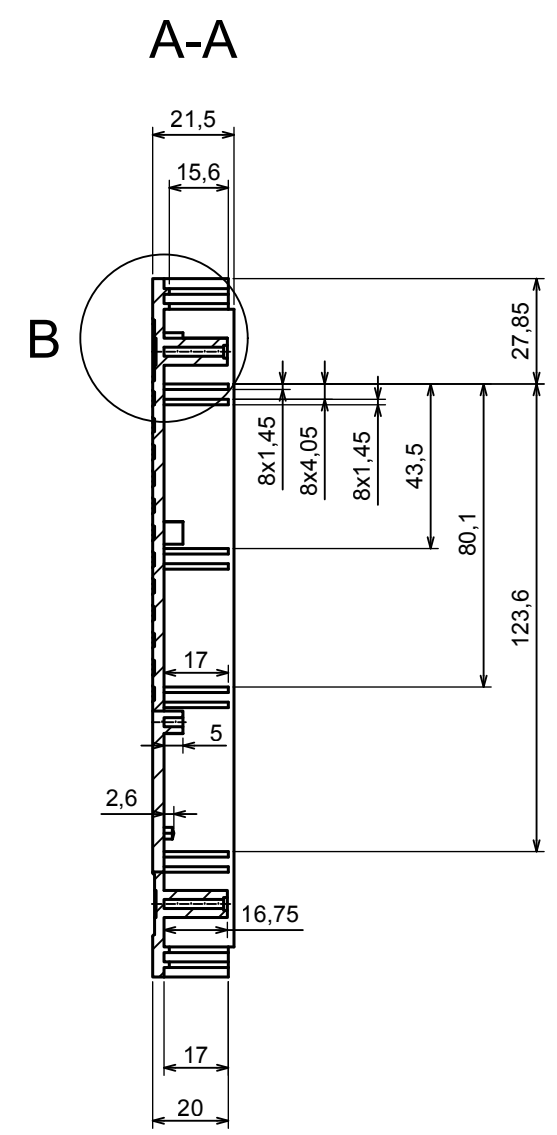
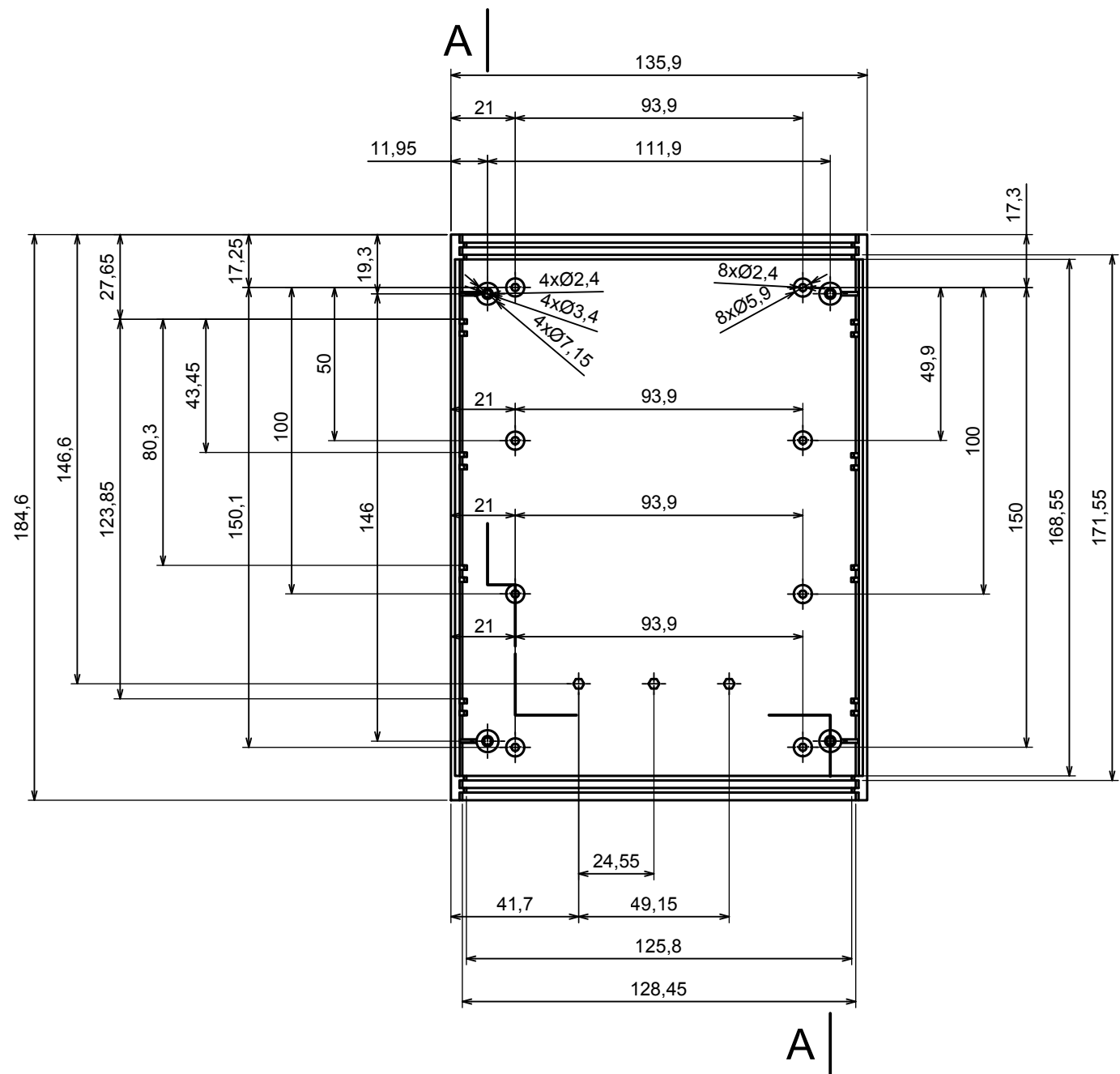
All rights reserved, Copyright Kradox 2016

Product model Enclosure Z112 - base

Format: A3 Material: PS, ABS

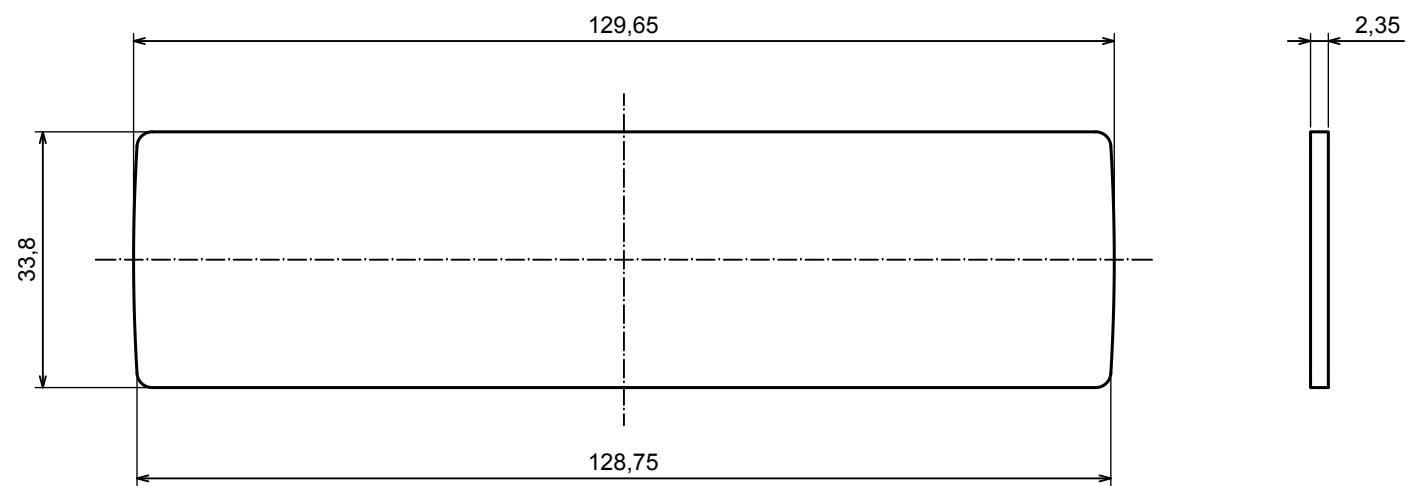
Scale 1:2 Tolerance: +/- 0.8




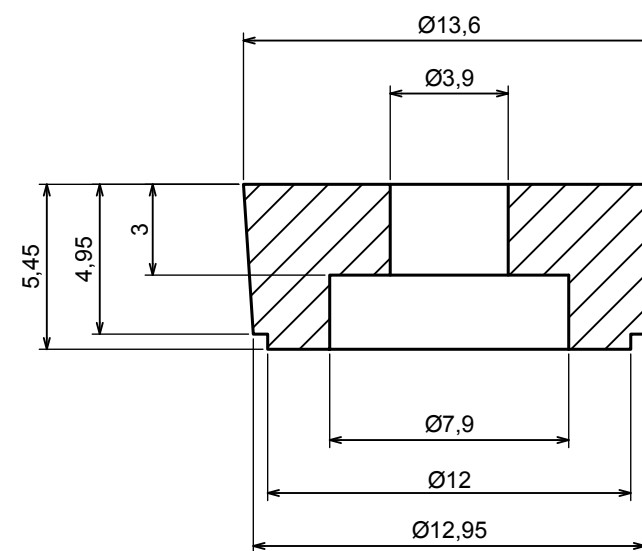


All rights reserved, Copyright Kradox 2016	
Product model	Enclosure Z112 - cover
Format: A3	Material: PS, ABS
Scale 1:2	Tolerance: +/- 0.8





All rights reserved, Copyright Kradox 2016		
Product model	Enclosure Z112 - board	
Format: A3	Material: PS, ABS	
Scale 1:1	Tolerance: +/- 0.8	



All rights reserved, Copyright Kradox 2016

Product model: Enclosure Z112 - foot

Format: A3      Material: PS, ABS

Scale 4:1      Tolerance: +/- 0.5

